



PedalPure™ Water Filter System



PedalPure™ water filtration systems are designed for use in situations where electricity is not available. It is 100% manual powered, and suitable for use in rural or disaster struck areas. The system is able to produce potable water for up to 1000 persons per day.

PedalPure™ is maintenance free, and only requires cleaning of the ultra filtration membranes from time to time. The cleaning of the membranes is easy and only requires a simple back flush with clean water.

PedalPure™ comes equipped with wheels for easy transportation, and can be transported easily. The wheels are installed with easy to use brakes to prevent unwanted rolling.

PedalPure™ ultra filtration membranes filter suspended particles as small as 0.01 microns. PedalPure™ UF membranes are certified by third party test centres to filter away bacteria, suspended solid, colour etc.

Golden Season Pte Ltd



Technical Information	
Dry weight:	30kg
Capacity:	up to 800L/hr
MWCO:	200,000

*Specifications are subject to change without prior notice.

Sample Marking

1. FILTERED (TREATED WATER)
2. FILTERED (NON-TREATES WATER)

Reported Date: 7th December 2011

Analyzed Date: 7th - 12th December 2011

Reported Date: 15th December 2011

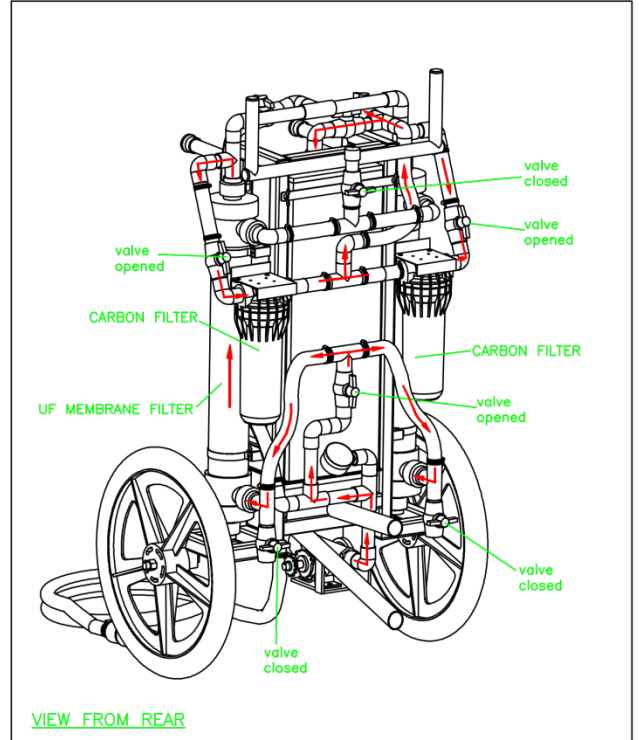
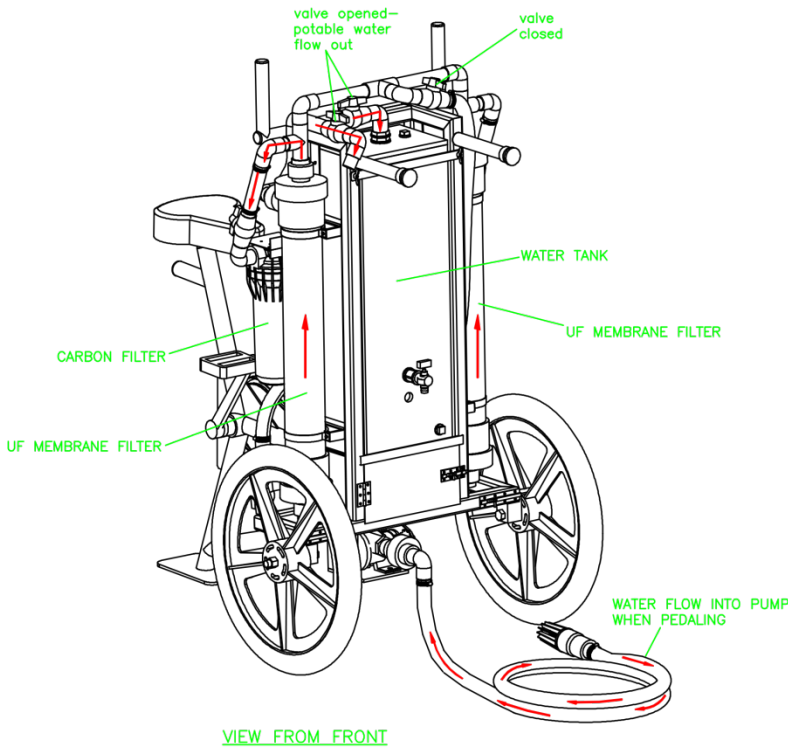
On Analysis of sample(s) collected, the result(s) obtained are as follows:

Laboratory Test Report			
Parameters	Methods	Results (Sample Marking)	
		1	2
Total Plate Count (cfu/ml) [Plate Count Agar, (37°C, 24 Hours)]	APHA 9215B	NG(<1)	2.0 x 10 ³
Total Plate Count (cfu/ml) [Plate Count Agar, (22°C, 72 Hours)]	APHA 9215B	NG(<1)	4.0 x 10 ³
Faecal Coliform Count (feacal coliform /100ml) [M-FC Medium Agar, (44.5°C, 24Hours)]	APHA 9222D	NG(<1)	1.0 x 10 ³
Total Coliform Count (cfu/100ml) [Chromocult Agar, (36°C, 24Hours)]	APHA 9223	NG(<1)	1.0 x 10 ³
Total E. Coli (cfu/100ml) [Chromocult Agar, (36°C, 24Hours)]	APHA 9223	NG(<1)	2.0 x 10 ²
*Enterococcus spp (cfu/100ml)	APHA 9230C	NG(<1)	NG(<1)

- APHA means American Public Health Association 21st Edition., 2005.
- NG means No Growth 4) cfu- colony forming units
- * means not SAMM accredited parameters.

GOLDEN SEASON PTE. LTD.

www.goldenseason.com.sg | www.gseason.com



FILTERING

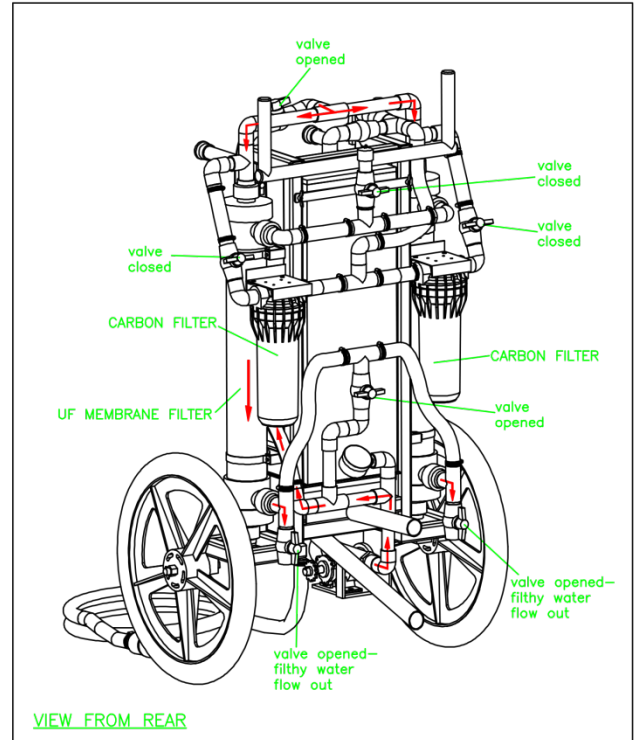
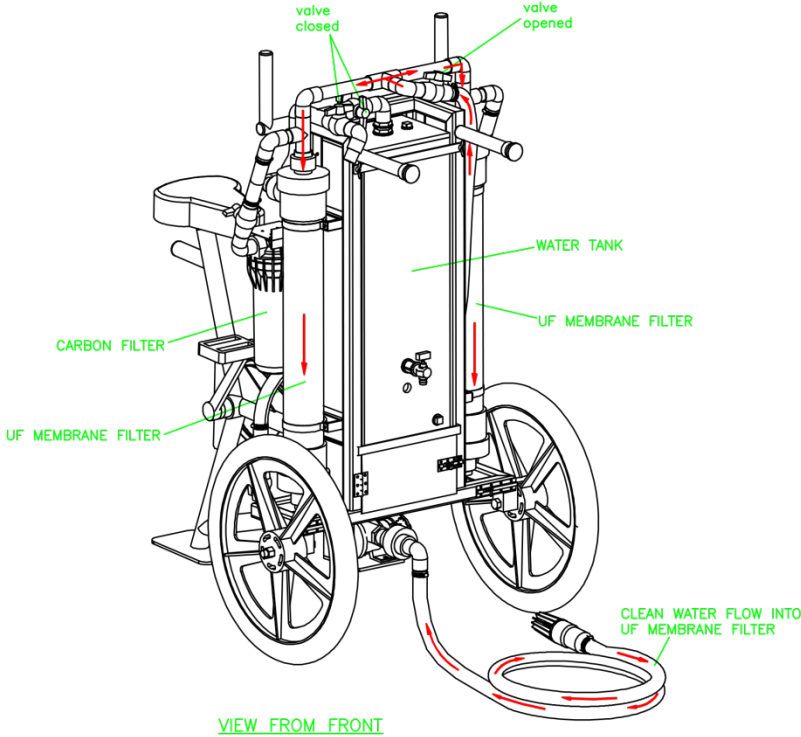
(produce potable water)

C					Change as DWG. NO.:			ALL DIMENSIONS ARE IN mm			Material		* Pedal Pure					
B					Change as DWG. NO.:			Designed		Customer		Quantity		1				
A					Change as DWG. NO.:			Checked		Philip		Part No.		GOLDEN SEASON PTE. LTD.				
								Approved		L.Y.Ming		08/05/13		Scale				
								Drafting Standard		iso		Pedal Pure		Size				
SYM					REVISION			DATE		OR.DE		CHECKED		APPROVED		Sheet		
								Projection Type		first Angle				X-X				
														A4				
														000-00				
														DWG No. 100FG013-03(RV5)				

PedalPure™ Filtering

Golden Season Pte Ltd

31 Playfair Road Singapore 367993 (Golden Season building) T 65.6863 2228 F 65.6363 2478
 Email: info@goldenseason.com.sg Website: www.goldenseason.com.sg | www.gseason.com Co. Regn No: 03734/1984E
 GST Registration No. M2-0067495-2



BACK FLUSHING

(cleaning UF membrane filter)

C					ALL DIMENSIONS ARE IN mm			Material	* Pedal Pure				
Change as DWG. NO.:					Designed	Customer	Quantity	1			GOLDEN SEASON PTE. LTD.		
B					Checked	Philip	Part No.						
Change as DWG. NO.:					Approved	L.Y.Ming	08/05/13	Pedal Pure			Scale	Size	Sheet
A					Drafting Standard		iso				X:X	A4	000-00
Change as DWG. NO.:					Projection Type		first Angle				DWG No.	100FG013-03(RV5)	
SYM	REVISION	DATE	OR.DE	CHECKED	APPROVED								

PedalPure™ Back Flushing

Back Flushing

- ✓ Please use clean water for Back Flushing.
- ✓ You may also use with clean water suitable disinfectant.
- ✓ Recommended duration for 20 to 30 minutes

GOLDEN SEASON PTE. LTD.

www.goldenseason.com.sg | www.gseason.com



Disclaimer:

Golden Season water filtration systems are designed for emergency response / disaster relief situations. While every effort is made to ensure that the filtered water is fit for consumption, the results of filtration are dependent on water sources, the state of the water filters as well as the equipment competency of the user among other factors.

These products designed for emergencies are to be used at own risk. Neither Golden Season nor any other party (whether or not involved in producing, maintaining or delivering this Website), shall be liable or responsible for any kind of loss or damage that may result due to the use of our product. This exclusion shall include servicing or repair costs and, without limitation, any other direct, indirect or consequential loss.

Golden Season Pte Ltd

31 Playfair Road Singapore 367993 (Golden Season building) T 65.6863 2228 F 65.6363 2478
Email: info@goldenseason.com.sg Website: www.goldenseason.com.sg | www.gseason.com Co. Regn No: 03734/1984E
GST Registration No. M2-0067495-2